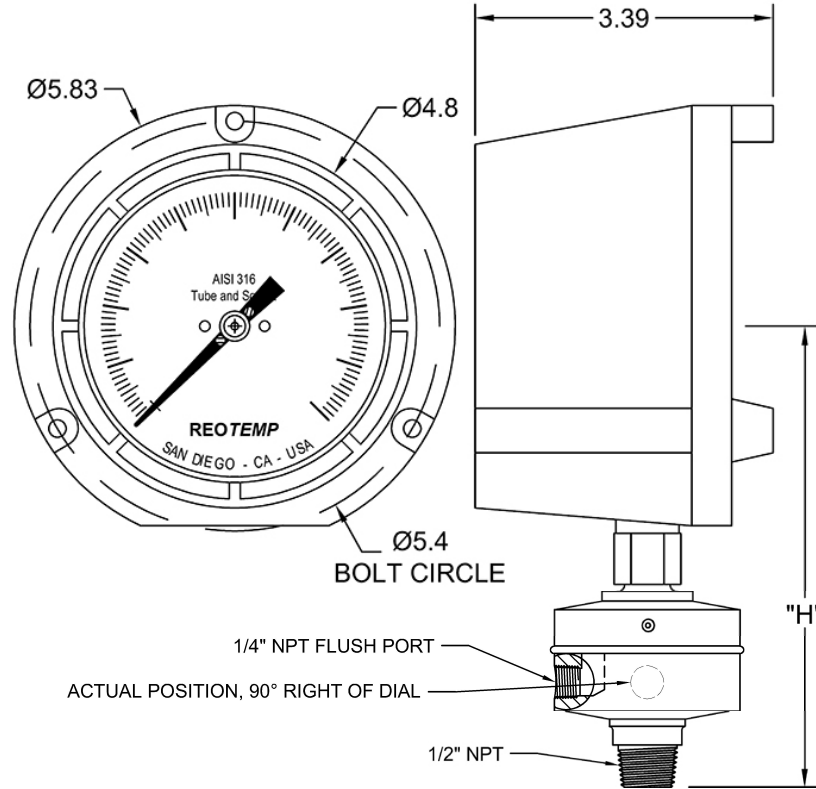


Reotemp Product Drawing



MS8 Seal - Pressure Gauge Assembly

Part #:	MS8PTAM2FP05-SDDDAGXGS
---------	------------------------

Gauge Data:	
Gauge Type:	4.5" Dial, Black Thermoplastic case, Solid Front Blowout back, Bottom Mount
Compound Range:	-30in Hg/0/100psi
Case Material:	Black Thermoplastic
Gauge Internals:	316SS
Lens Material:	Laminated Safety Glass
Case Fill:	USP Glycerin

Seal Data:	
Seal-to-Process Conn:	1/2" NPT male
Seal-to-Gauge Connection:	Direct mount
Wetted material:	316L SS
Diaphragm diameter:	2.2 in.
Seal Fill Fluid:	Glycerin USP
Flushing Connection:	1/4"NPT Flushing Connection
Gasket Material:	None; all-welded construction

Options and Accessories:	(Options are not depicted in drawing)
--------------------------	---------------------------------------

Operating Limits:	min	max	
	Ambient Temp:	23°F	150°F
	Process Temp:	60°F	250°F
	Max Working Pressure:	100 psi	
	Proof Pressure at 70°F:	130 psi	
	Max. Process Fluid Containment Pressure @ 70°F:	5000 psi	

Drawing Dimensions:	
Height "H":	6.8 in.

Data generated on:	6/6/2023	Revision:	x1	Rev. Date*:	6/1/2013
--------------------	----------	-----------	----	-------------	----------

*Revision date applies to all possible data: Individual drawings may not be affected. To obtain current revision, re-generate drawing at www.reotemp.com.

Made in U.S.A.

File Control
MS8G-PTA
MS8U-DDDA
MS8L-FA
MS8P-M2A

Consult factory for critical dimensions.	Reotemp Instrument Corporation 10656 Roseme Street San Diego, CA 92121 USA Phone: (858) 784-0710 Fax: (858) 784-0720	DRAWN BY: JR SIZE: B CAGE CODE: 24793
© 2021 Reotemp Instrument Corp.	REOTEMP	SCALE: NTS SHEET: 1 OF 1
THIS DRAWING AND SPECIFICATIONS ARE THE PROPERTY OF REOTEMP INSTRUMENT CORP., AND ARE ISSUED IN STRICT CONFIDENCE AND SHALL NOT BE REPRODUCED, COPIED OR USED AS THE BASIS FOR MANUFACTURE OR SALE OF ITEMS DEPICTED HEREIN WITHOUT WRITTEN PERMISSION FROM REOTEMP INSTRUMENT CORP.		

Notes: Dimensions are in inches (unless otherwise noted) visit www.reotemp.com for attribution of trademarks.